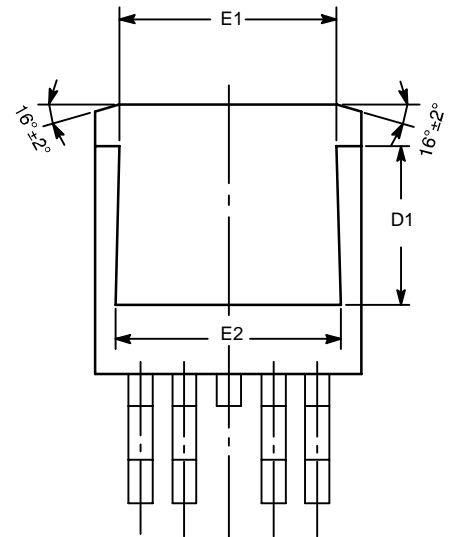
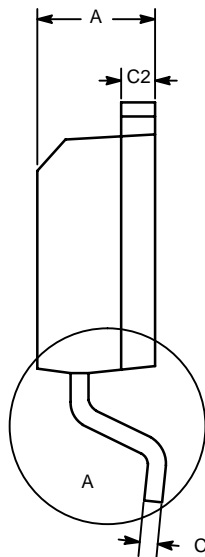
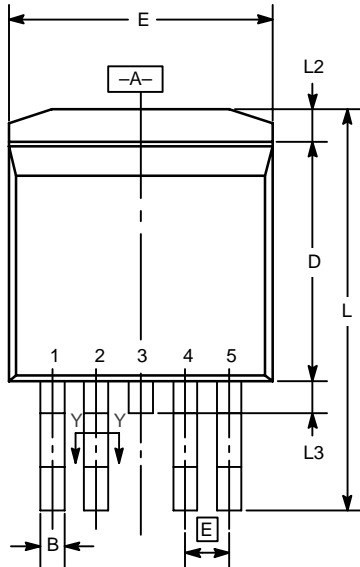
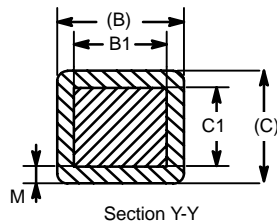
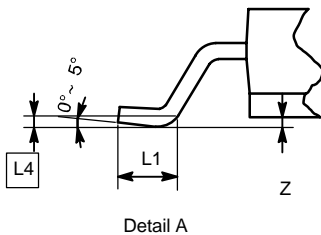




**TO-263 (D<sup>2</sup>PAK): 5 LEADS**  
(For Lead Thickness 25 mil)



⊕ 0.010 M A M



Dim	INCHES	
	Min	Max
A	0.170	0.185
B	0.028	0.039
B1	0.028	0.035
C	0.018	0.028
C1	0.018	0.025
C2	0.045	0.055
D	0.340	0.380
D1	0.220	0.255
E	0.385	0.405
E1	0.310	0.340
E2	0.355	0.375
<b>E</b>	0.067 BSC	
L	0.575	0.625
L1	0.090	0.110
L2	0.040	0.055
L3	0.050	0.070
<b>L4</b>	0.010 BSC	
M	—	0.002
ECN: T-01063—Rev. B, 07-May-01 DWG: 5864		

NOTES:

1. Plane B includes maximum features of heat sink tab and plastic.
2. No more than 25% of L1 can fall above seating plane by maximum 8 mils.
3. Pin-to-pin coplanarity maximum 4 mils.
4. Z not to exceed 10 mils.